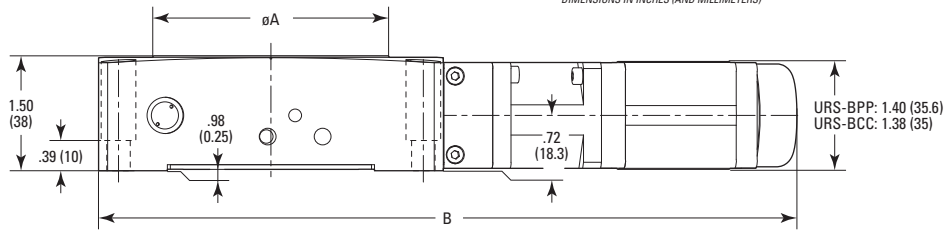


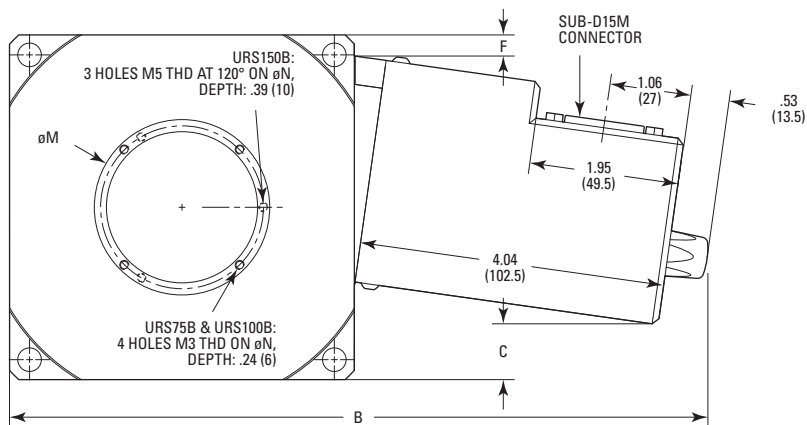
4 HOLES M4 THD ON "L", DEPTH: .24 (6)
NOTE: ON URS150B VERSIONS, THE POSITION OF THESE 4 HOLES IS TURNED OF 45°.

4 HOLES ϕ "H" THD ON SQR "J", DEPTH: "K"

MODEL SHOWN: URS100BPP
DIMENSIONS IN INCHES (AND MILLIMETERS)



BOTTOM VIEW OF THE URS100BCC



MODEL SHOWN: URS100B
DIMENSIONS IN INCHES (AND MILLIMETERS)

SCALE 1:2.5

| | A | B | C | D | E | F | G | H | J | K | L | M | N | P |
|---------|---------------|----------------|--|---------------|--|---------------|--------------|----|--------------|------------|-----------------------------------|---------------|--------------|---|
| URS75B | 1.97 (50) | 8.19 (208) | -.06 ⁽¹⁾ (-1.5) ⁽¹⁾ | 3.54 (90) | 1.18 ^{+0.0051} (30 ^{HB}) | .08 (2) | .83 (21) | M3 | 1.26 (32) | .24 (6) | - | 1.50 (38) | 1.34 (34) | 2.98 (75.6) |
| URS100B | 3.07 (78) | 9.13 (232) | .71 (18) | 4.49 (114) | 1.97 ^{+0.0063} (50 ^{HB}) | .26 (6.5) | 1.02 (26) | M6 | 1.97 (50) | .24 (6) | SQR 1.89 (SQR 48) | 2.28 (58) | 2.13 (54) | 3.97 (100.8) |
| URS150B | 5.20 (132) | 11.14 (283) | 2.56 (65) | 6.50 (165) | 3.54 ^{+0.0067} (90 ^{HB}) | .41 (10.5) | 1.14 (29) | M4 | 2.95 (75) | .31 (8) | ϕ 4.92 (\emptyset 125) | 4.13 (105) | 3.86 (98) | 5.91 AND 6 ⁽²⁾ (150 AND 152.4) ⁽²⁾ |

NOTES:
¹ THE DRIVE BOX OF THE URS75BCC EXCEEDS .06 IN. (1.5 MM) FROM THE BODY.
² URS150B: 4 SLOTS COUNTERBORED.