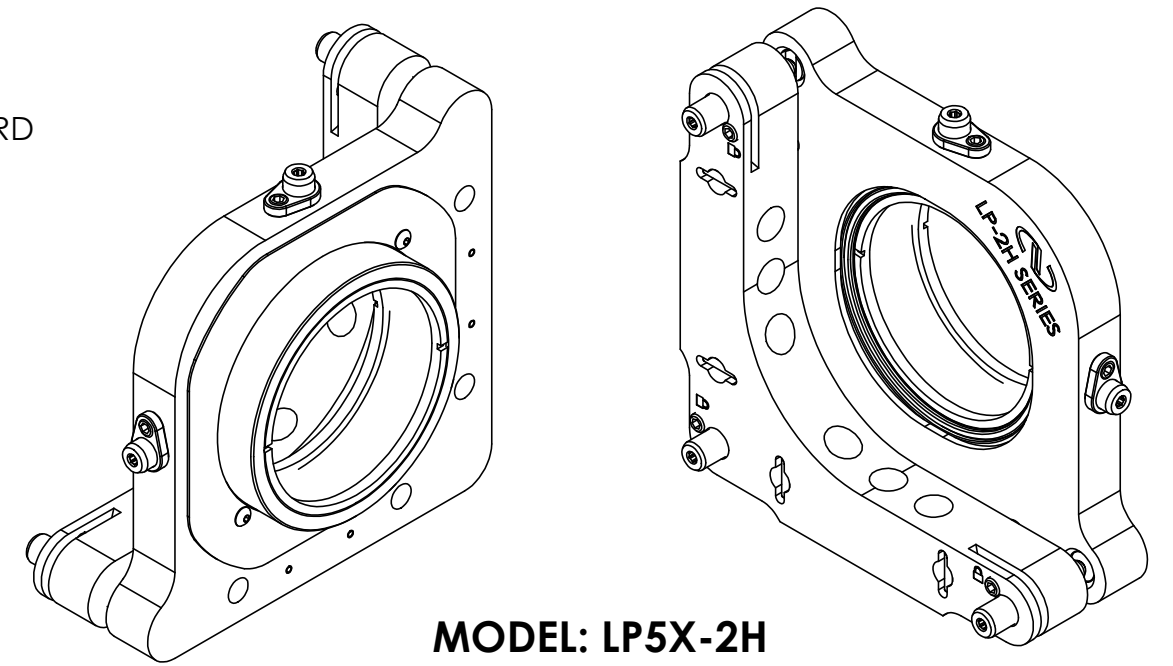
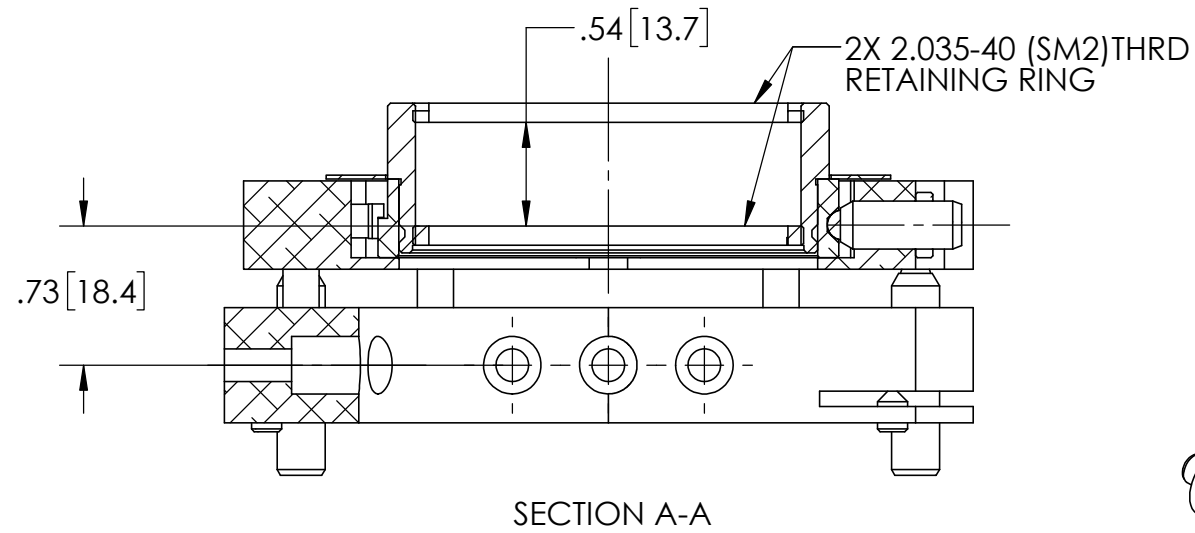


TECH SPECS:

1. PITCH/YAW: $\pm 4^\circ$ AT 3.1mrad/rev
2. X / Y TRANSLATION: $\pm 2\text{mm}$ AT $254 \mu\text{m}/\text{rev}$
3. Z TRANSLATION: $\pm .126 [3.2\text{mm}]$ AT $254 \mu\text{m}/\text{rev}$
4. MAX OPTICS EDGE THICKNESS: $0.54 [13.7\text{mm}]$



MODEL: LP5X-2H

