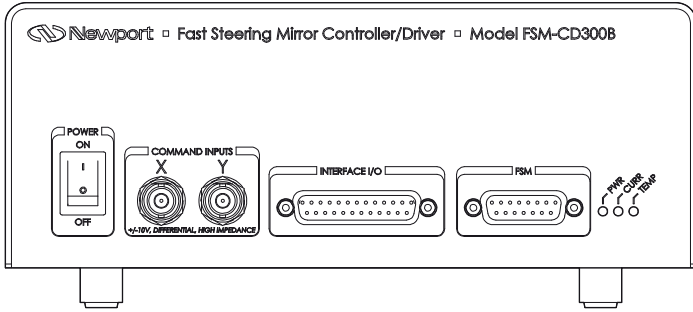
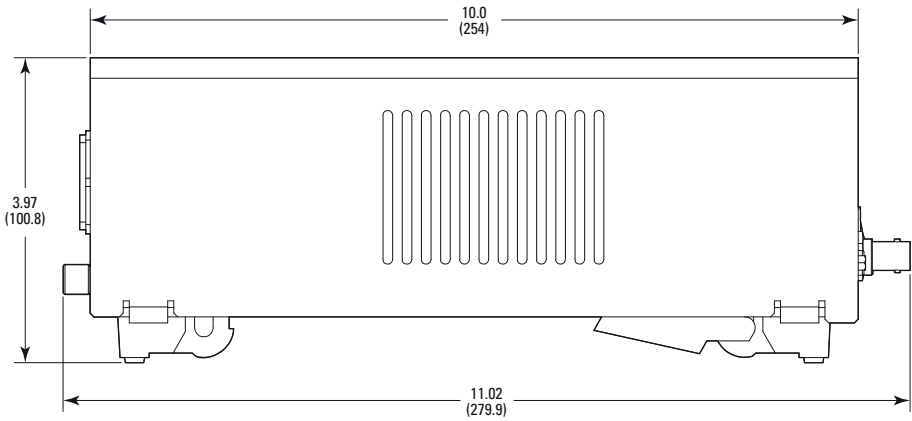
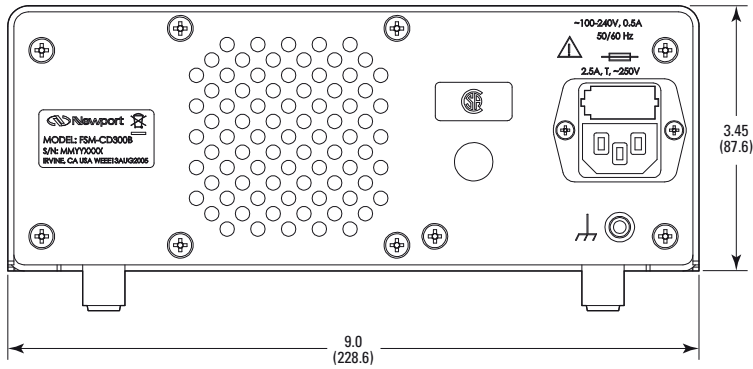


**FRONT VIEW**



**REAR VIEW**



**MODEL SHOWN: FSM-CD300B**  
 DIMENSIONS IN INCHES (AND MILLIMETERS)  
 0 1.0 2.0 IN.  
 0 10 20 30 40 50 60 (MM)  
 SCALE 1:2.5

